



WWW.BARRYIND.COM

# RK0503ZZ-XXXXWN-AA

## Alumina

## 1/4 WRAP CHIP RESISTOR

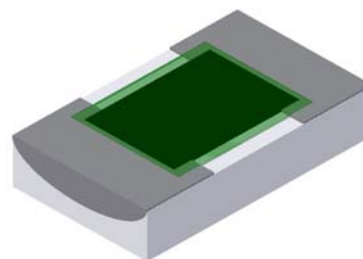
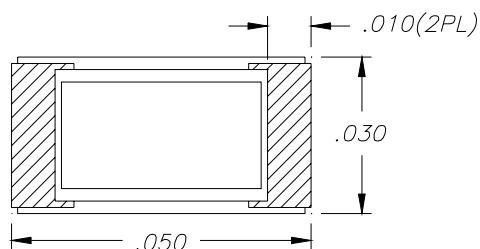
### Features:

- ◆ Alumina material
- ◆ 1/4 Wrap
- ◆ .15 Watt input power

### General Description:

The RK0503ZZ-XXXXWN-AA series is a quarter wrap style chip resistor. It has an input power of .15 Watts while maintaining a mounting surface temperature of 100°C. It offers a small package design available in Alumina.

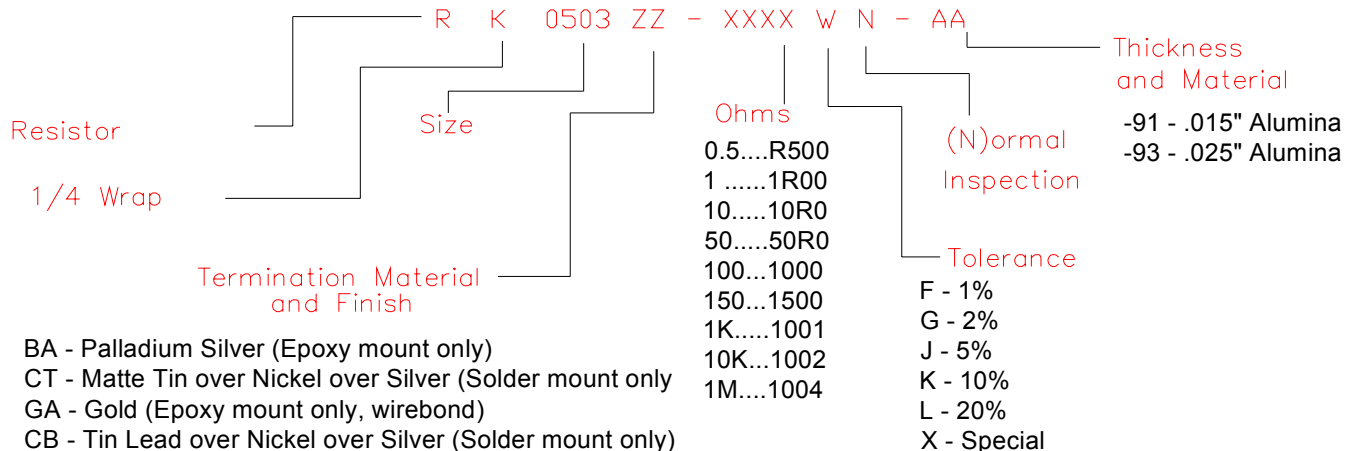
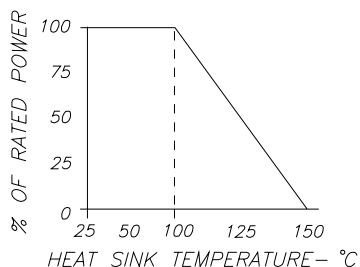
See below for ordering options.



Half Thickness of material minimum

THICKNESS - AA

### DERATING CURVE:



\* Barry Industries reserves the right to change part number and or process without notification

Barry Industries, Inc., 60 Walton St., Attleboro, MA 02703 T: 508-226-3350 F: 508-226-3317 E-mail: ABSales@Vishay.com

Barry Industries maintains an ISO 9001 Certified Quality Management System

Origination Date	Revision Date	Rev.
9/11/07	9/11/07	-